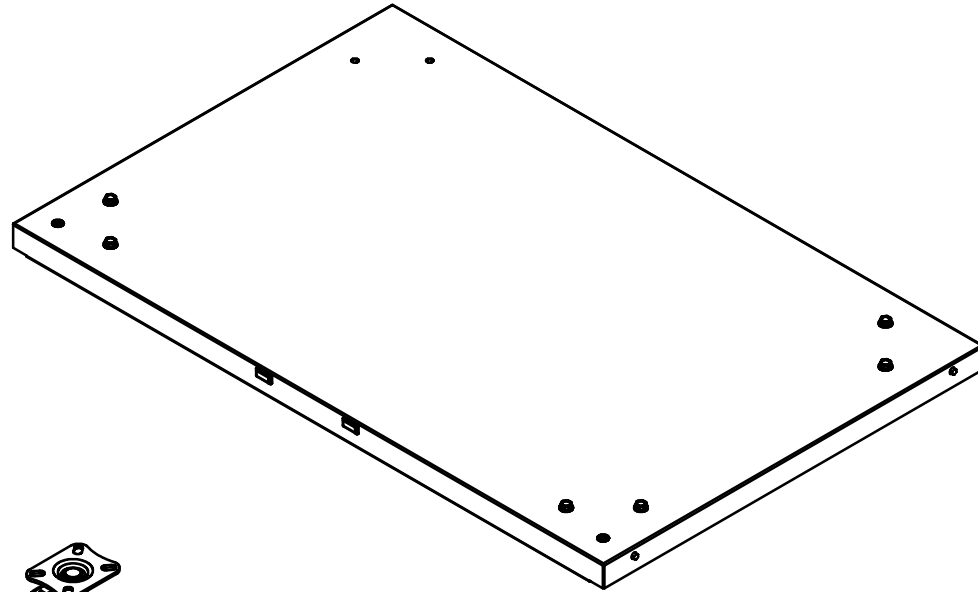
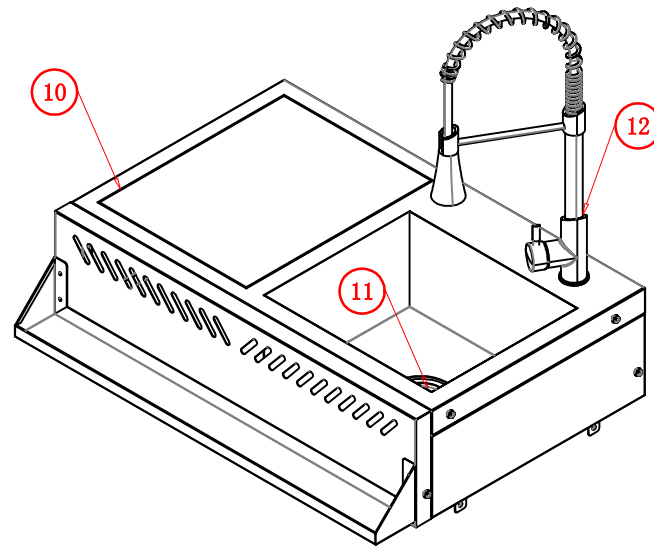


1	Bottom Assembly	1
2	Door - Left	1
3	Door - Right	1
4	Hinge Mounting Bracket (Left)	1
5	Hinge Mounting Bracket (Right)	1
6	Left Side Panel	1
7	Right Side Panel	1
8	Partition Panel	1
9	Back Panel	1
10	Sink & Counter	1
11	Sink Drainer	1
12	Faucet	1
13	Hinge	4
14	Screw 1/4-20 x 1/2	44
15	Screw M4 x 8	16

**STEP1:** Use 16pcs 1/4-20 x 1/2 Screws  
to install four wheels.



**STEP2:** Install the faucet & drainer.



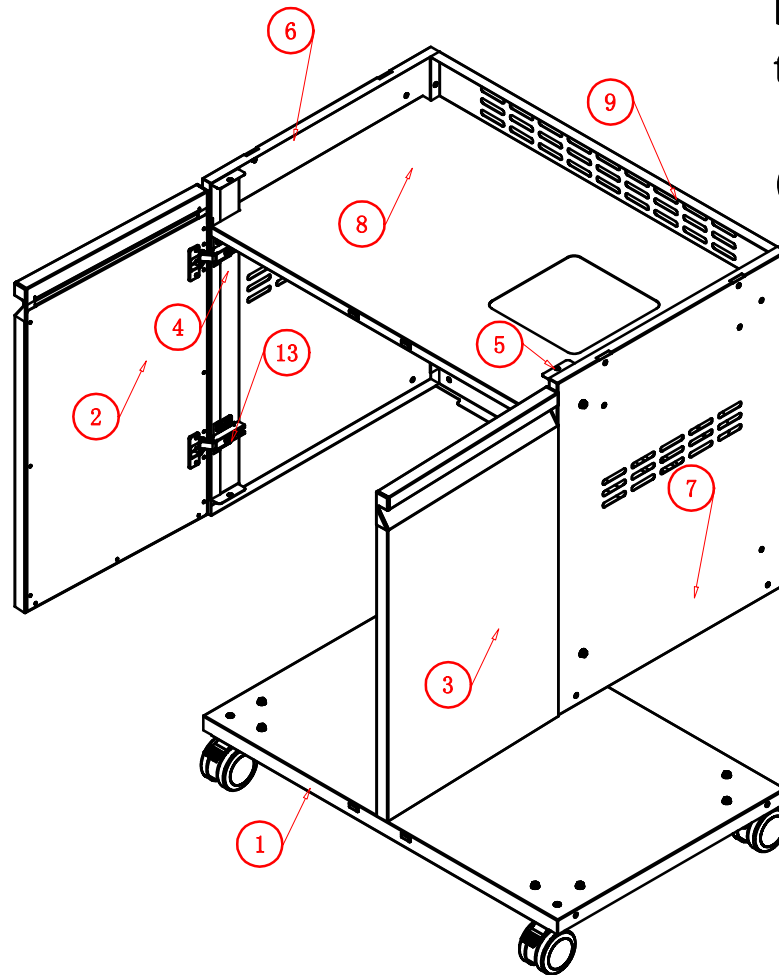
**STEP3:** 1/4-20X1/2 24PCS  
M4X8 16PCS

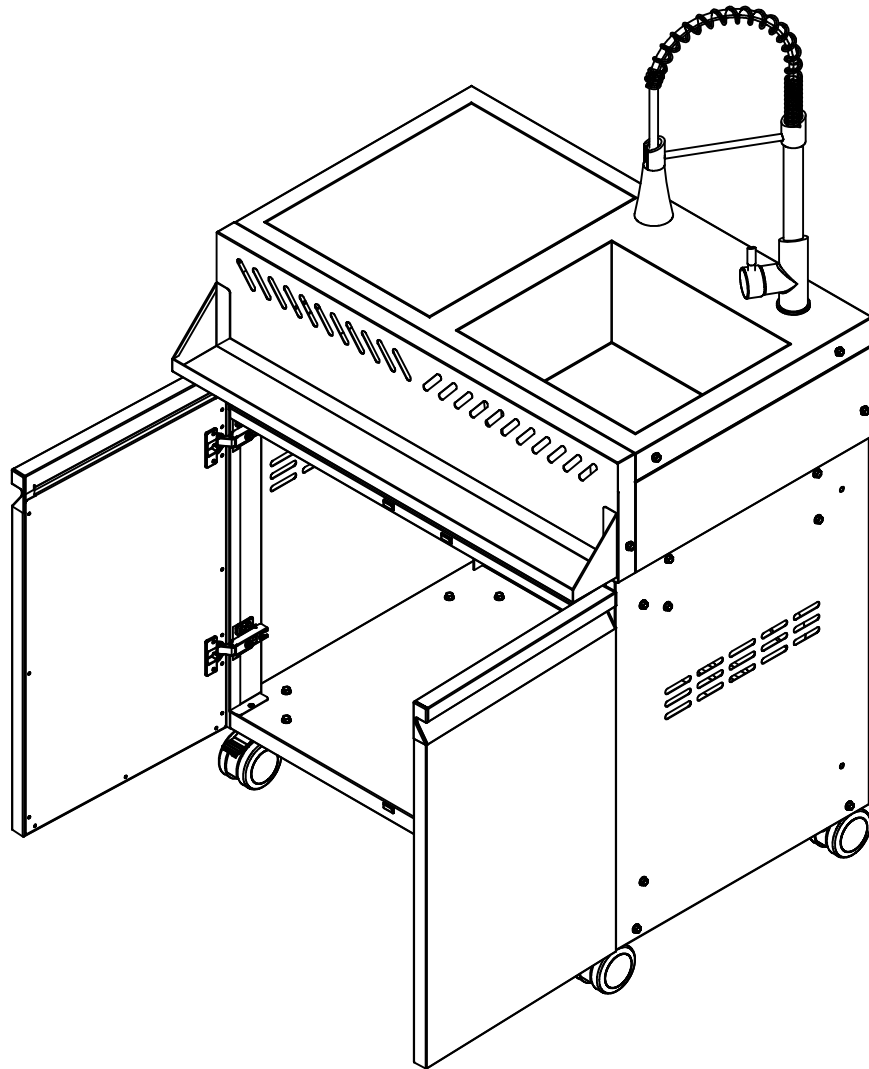
(1) Attach Side Panel #6 and #7 to the bottom panel, using 1/4-20 x 1/2 screws, then assemble #9.

(2) Attach bracket #4 (Left) and #5 (Right), together with #8.

*Note: Pay attention to "Left" & "Right" labels.*

(3) Install the four hinges #13, and assemble together with Door panel #2 and #3, using M4 x 8 screws.





**STEP4:**

Mount the top sink & counter part onto the cabinet, and fasten with 4pcs 1/2-20 x 1/2 screws.