

ASSEMBLY- G3I / G5IB

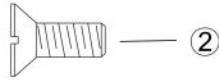
1. Install the Trim brackets Left and Right & Rear



Phillips Head Screw
1/4" X 3/8"
Qty. 4



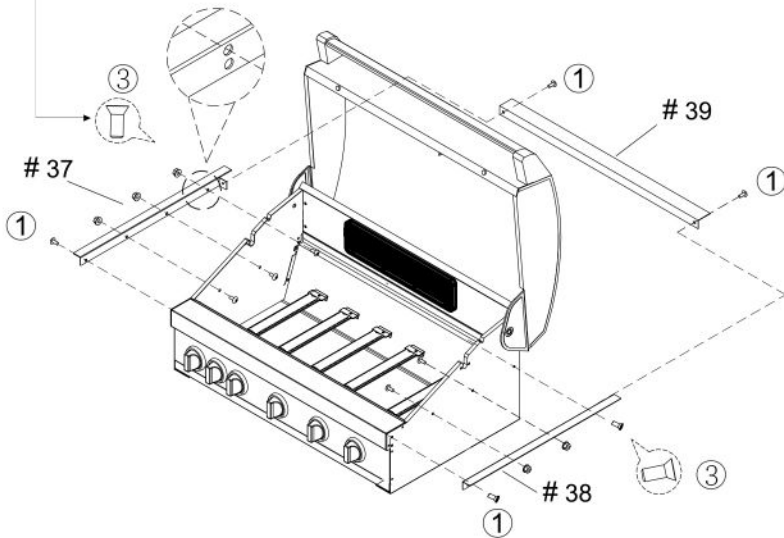
Flange Nut : 1/4"
Qty.4



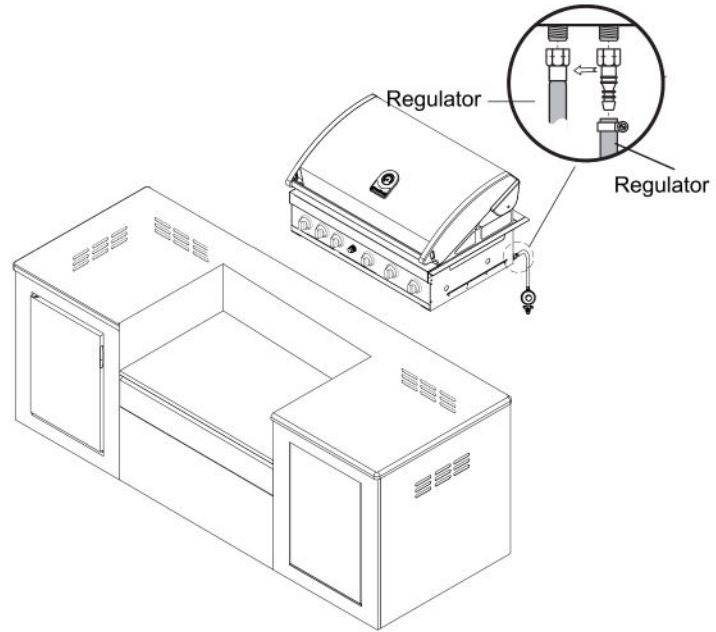
Countersunk Flat Head Screw
1/4" X 3/8"
Qty. 4



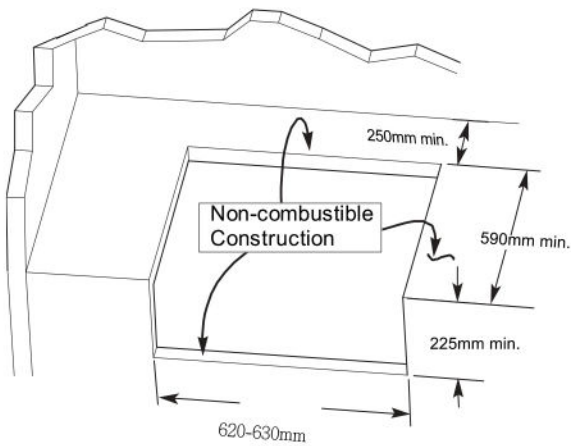
Countersunk Flat Head Screw
3/16" X 3/8"
Qty. 2



2. Regulator and Install the grill onto the housing .

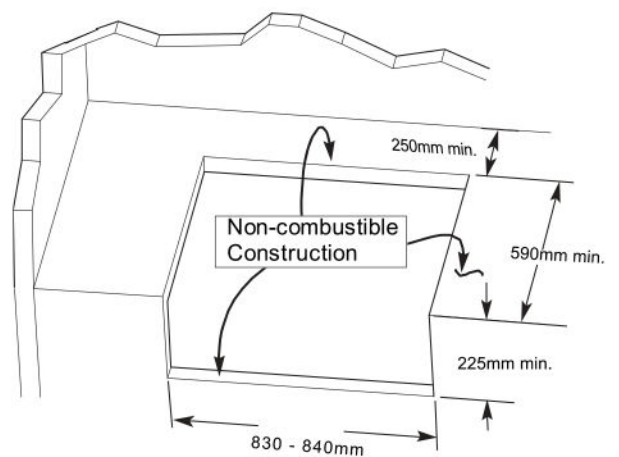


MOUNTING CUT - OUT



ELITE G3I

MOUNTING CUT - OUT



ELITE G5IB