

**ASSEMBLY- G4I Model**

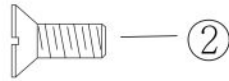
**1. Install the Trim brackets Left and Right & Rear**



Phillips Head Screw  
1/4" X 3/8"  
Qty. 4



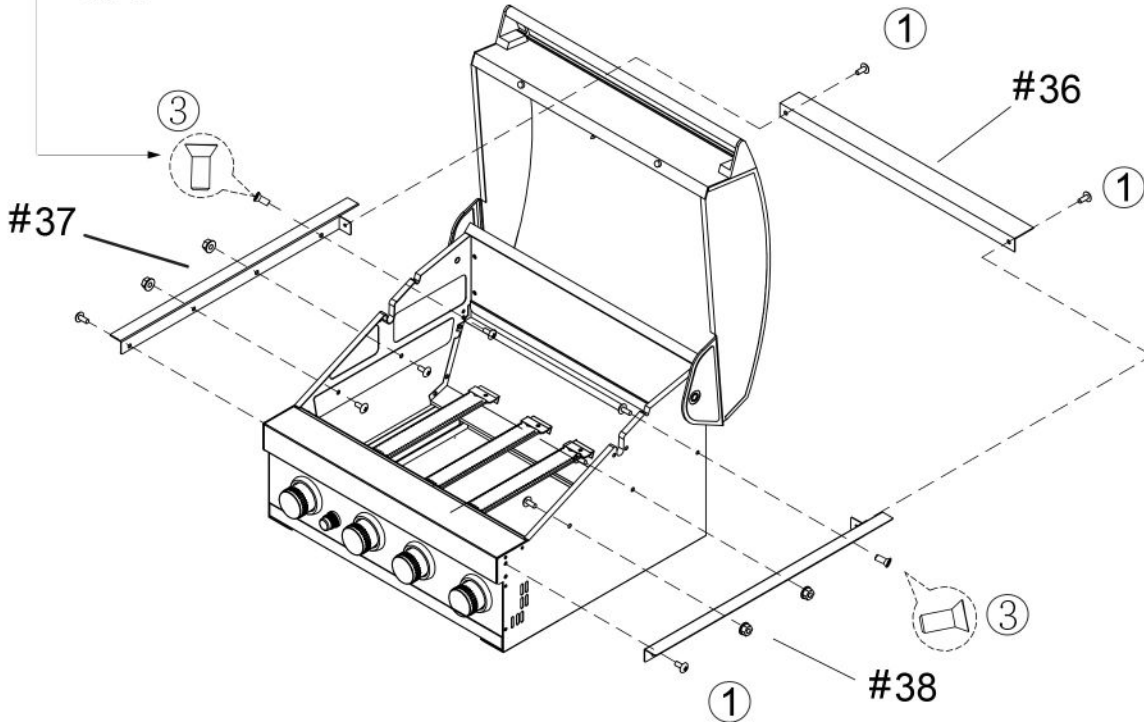
Flange Nut : 1/4"  
Qty.4



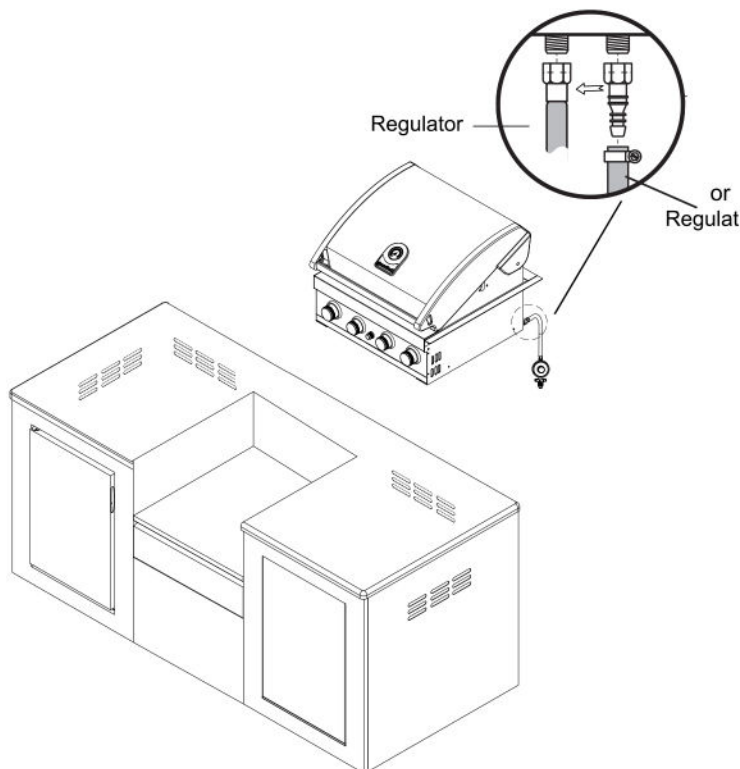
Countersunk Flat Head Screw  
1/4" X 3/8"  
Qty. 4



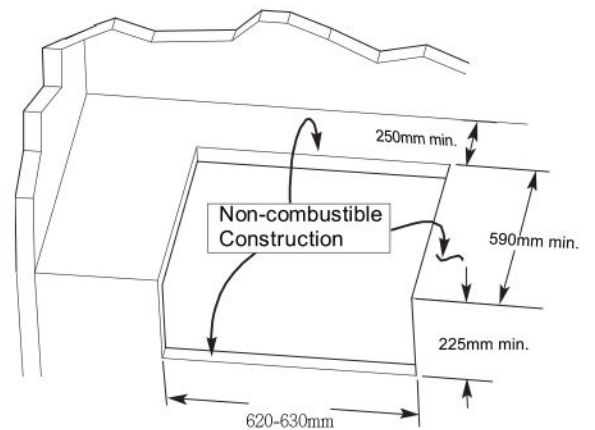
Countersunk Flat Head Screw  
3/16" X 3/8"  
Qty. 2



**2. Regulator and Install the grill onto the housing .**



**MOUNTING CUT - OUT**



**G4BI Model**